

**CE**  
**ISO12402**

**PEAK** paddlesports

**EU Declaration of Conformity**

**Module B Type Examination certificate no:** 2754/6004/162/07/25/0068

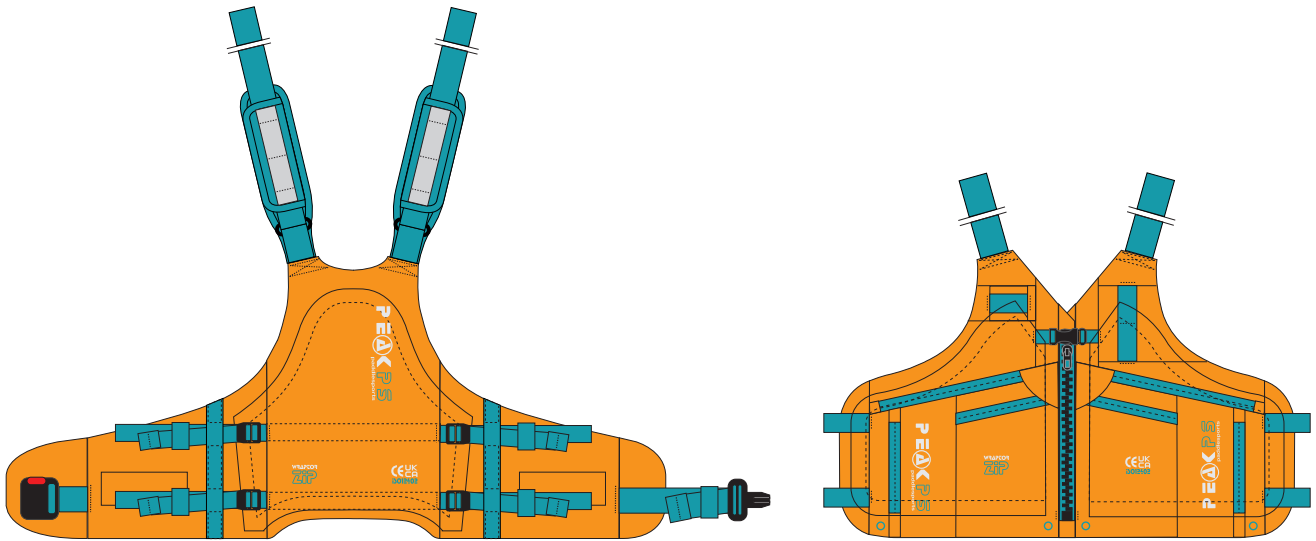
**Date of Issue:** 23/7/2025

**Model:** Wraptor Zip

**Special Application:** No quick release harness.

**Sizes:** Womens: 10/12. 14/16. 18/20

Mens: S. ML. XL



This PFD conforms to the standards EN ISO 12402-5:2020 for personal flotation devices.  
PFD Type 50.

THIS PFD IS CERTIFIED ACCORDING TO:  
THE PPE REGULATION (EU) 2016/425  
Aliénor Certification  
ZA du Sanital. 21 rue Albert Einstein  
86100 CHATELLERAULT. France  
Notified Body N°2754

This declaration of conformity is issued under the sole responsibility of the manufacture.

**Signed for and on behalf of: Peter Astles. Director.**

**Pete Astles**

**Date:** 23/7/2025

**Peak UK Kayaking Co Ltd.**  
Old Road. Darley Dale. Derbyshire DE4 2ER. UK.  
Company Reg: 3848932. Vat Reg: GB568 0254 33

Authorized EU Representative:

**Peak EU Kayaking Limited.**  
Taylorstown. Ballycullane. New Ross. Co Wexford Y34 D650. Republic of Ireland.  
Company Reg: 685514. EORI: IE3732890BH. Directors: Peter Astles. Robert Amis

**UK  
CA  
ISO12402**



**UK Declaration of Conformity**

**Module B Type Examination certificate no: 2754/6004/162/07/25/0068**

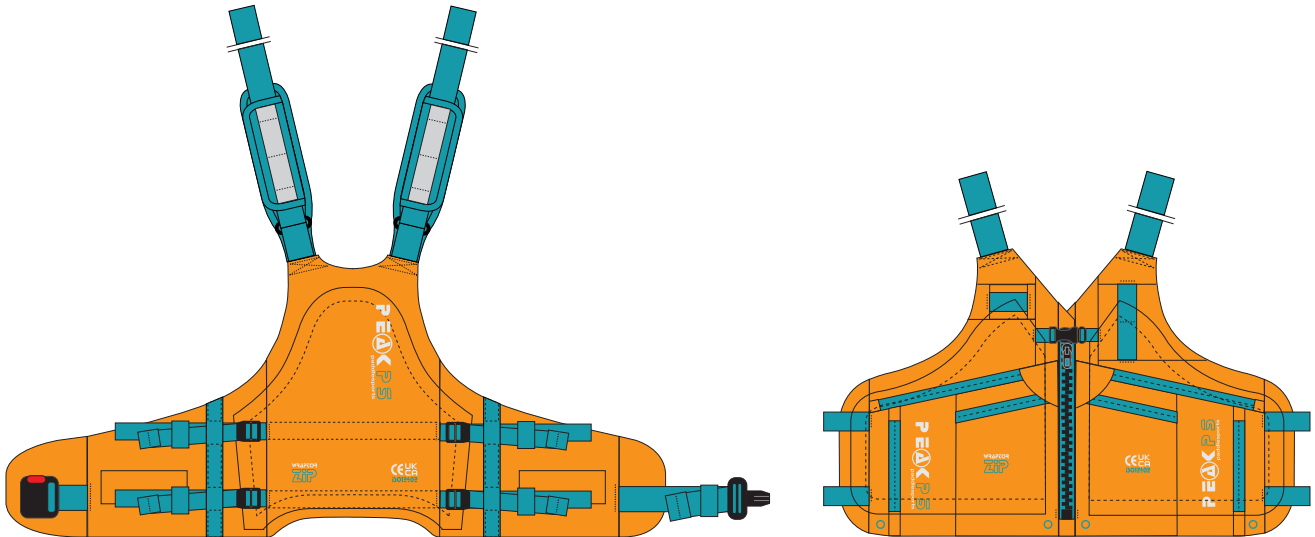
**Date of Issue: 23/7/2025**

**Model:** Wraptor Zip

**Special Application:** No quick release harness.

**Sizes:** Womens: 10/12. 14/16. 18/20

Mens: S. ML. XL



This PFD conforms to the standards EN ISO 12402-5:2020 for personal flotation devices.  
PFD Type 50. Regulation 2016/425 on personal protective equipment, as amended to apply in GB

This declaration of conformity is issued under the sole responsibility of the manufacture.

**Signed for and on behalf of: Peter Astles. Director.**

*Pete Astles*

**Peak UK Kayaking Co Ltd.**

Old Road. Darley Dale. Derbyshire DE4 2ER. UK.  
Company Reg: 3848932. Vat Reg: GB568 0254 33

**Date: 23/7/2025**